

0...100%
0...5psi

-55...125 °C

0...8000 rpm

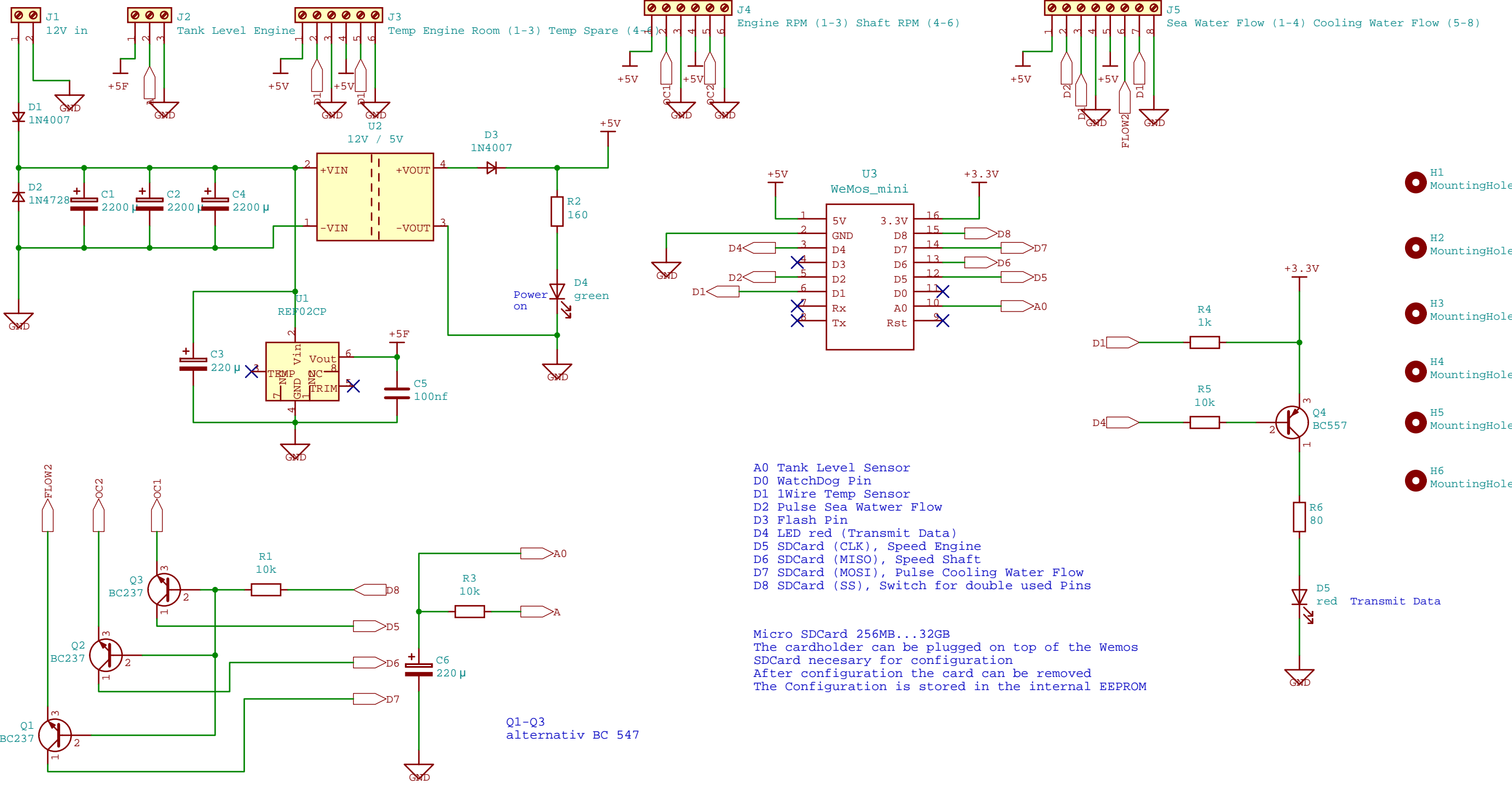
Flowsensor YF-S201B
1...30 l/min, 7,42 Pulss @ 1 L/min
modified Version with Temp Sensor

6...24V DC
Analog

5V 1Wire
GND 1Wire
5V 1Wire
GND 1Wire

5V OC 1
GND OC 2
5V OC 2
GND OC 2

5V Flow 1
1Wire Flow 1
GND 1Wire
5V Flow 1
1Wire GND



- A0 Tank Level Sensor
- D0 WatchDog Pin
- D1 1Wire Temp Sensor
- D2 Pulse Sea Watwer Flow
- D3 Flash Pin
- D4 LED red (Transmit Data)
- D5 SDCard (CLK), Speed Engine
- D6 SDCard (MISO), Speed Shaft
- D7 SDCard (MOSI), Pulse Cooling Water Flow
- D8 SDCard (SS), Switch for double used Pins

Micro SDCard 256MB...32GB
The cardholder can be plugged on top of the Wemos
SDCard necessary for configuration
After configuration the card can be removed
The Configuration is stored in the internal EEPROM

C1-C4= 25V
C5= 16V

- H1 MountingHole
- H2 MountingHole
- H3 MountingHole
- H4 MountingHole
- H5 MountingHole
- H6 MountingHole